

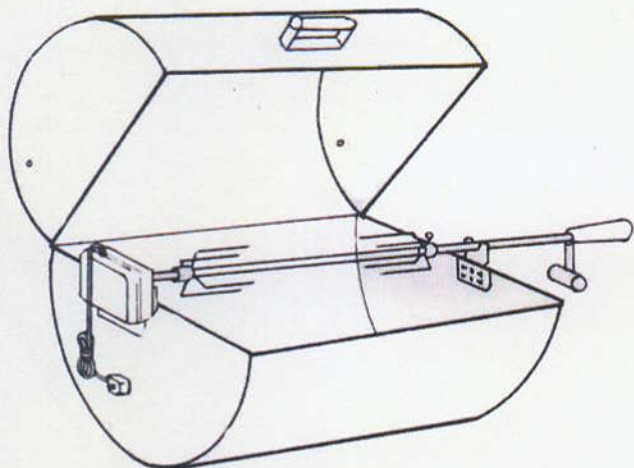


912-638-4724

ELECTRIC and/or BATTERY ROTISSERIE

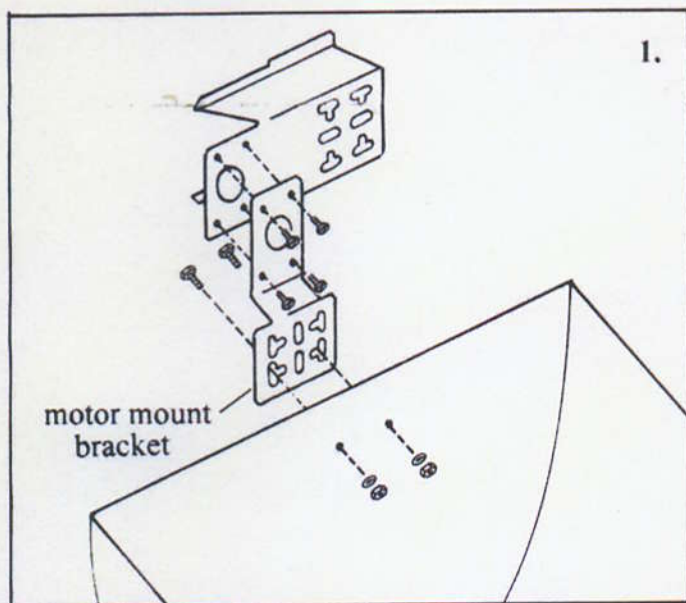
Model 05022

Plugs into wall outlet or operates on 2 'D' batteries (not incl.)

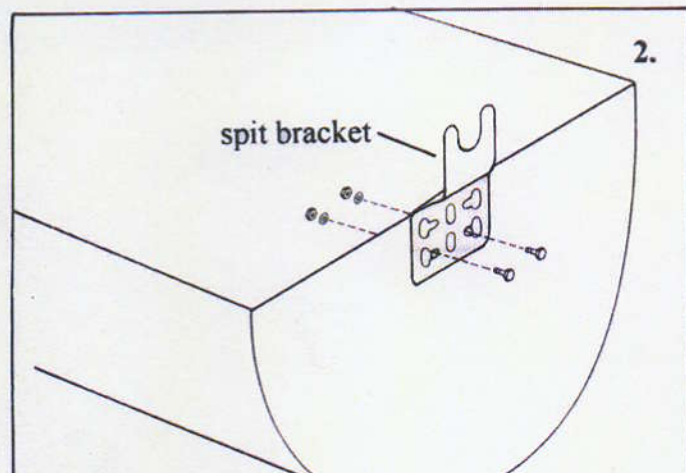


Tools Required: Hammer, Phillips Screwdriver, Pliers

Assembly: Open lid and remove the cooking grate(s). Check sides of the grill bottom for existing rotisserie mounting holes. If holes are not present on both sides, center the motor mount bracket on the outer side(s) of the grill bottom. Hold the bracket so the bottom of the large hole is just above the rim. Mark and drill holes.



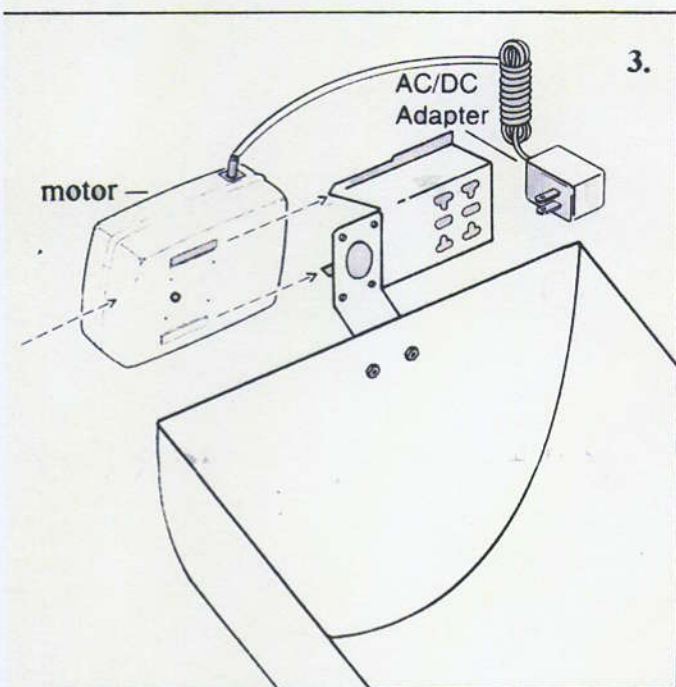
1. Attach motor mount bracket to holes in left side of bottom with the hardware provided.



2. Attach spit bracket to right side

! WARNING!

Do not use this or any electric appliance in rain or under wet conditions. Do not allow electric power cords to touch hot grill surfaces during use. Store the electric motor indoors when it is not in use.



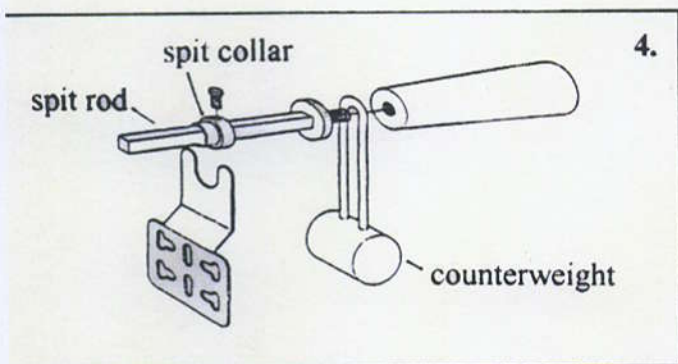
3. Slide motor onto the motor mount as shown.

4. Attach the spit collar onto the spit rod at end closest to handle.

Note: The purpose of the "SPIT COLLAR" is to provide a round (rather than square) surface on the SPIT ROD where it comes in contact with the SPIT BRACKET.

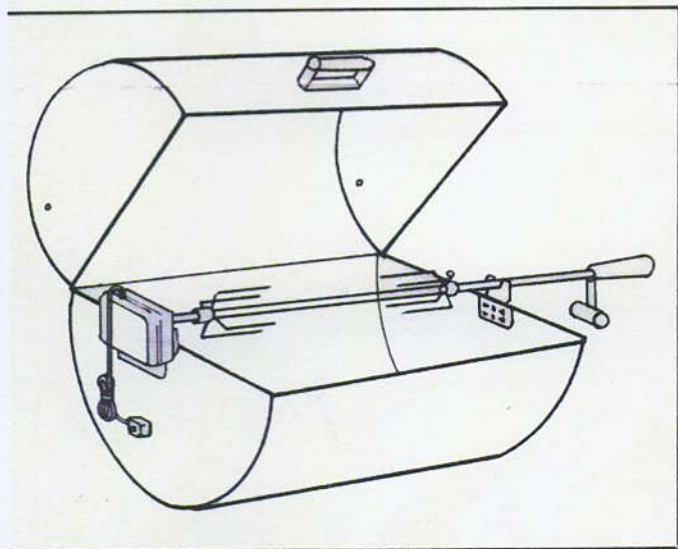
5. Turn keywasher onto threaded end of spit rod followed by the counterweight and black handle. Slide the forks onto the spit rod.

6. Place pointed end of spit rod into the square hole in motor and rest spit collar in the half round hole of the spit bracket on the opposite end.



7. **To Use:** Lid may need to remain propped open to clear rotisserie when in use if the perforated knockout holes are not removed with a hammer and screwdriver.

8. Important: Use counterweight to balance food on spit rod. This is essential for satisfactory motor life and performance. After securing meat to spit rod with forks, test by holding one end of rod in palm of each hand and turning gently. If meat turns unevenly, readjust forks or rod until evenly balanced.



Hint: Tie poultry with cord to prevent movement of wings and legs. **Note:** Coals or lava rock may be moved to allow clearance for turning meat. Rock grate must remain in place to ensure that meat will not move burner.

! CAUTION !

Before removing spit from grill, make sure gas control knob is turned to "OFF" (on gas grills). Use protective gloves or tools when removing spit to avoid burn hazard from spit, food, or hot juices.